

真空式全自動填料機

AUTOMATIC VACUUM LOADERS



晏邦電機工業有限公司

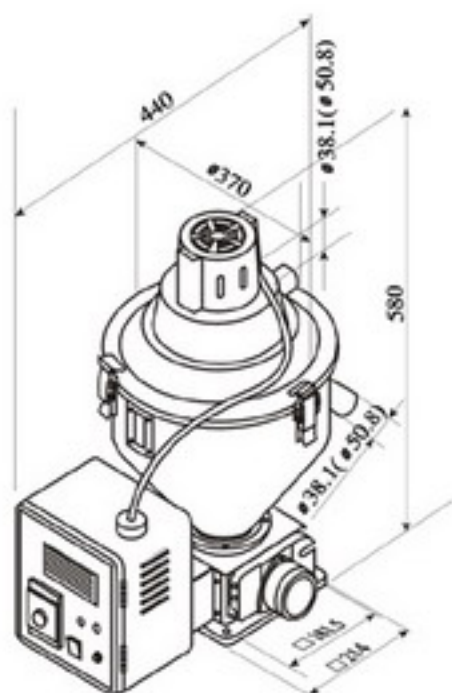
YANN BANG ELECTRICAL MACHINERY CO.,LTD.

真空式全自動填料機

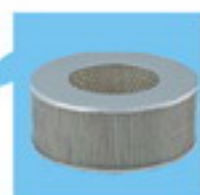
AUTOMATIC VACUUM LOADERS

BC/BCE/BCE-F Series

直立式/微電腦觸控式填料機



BCE-F Series



Paper Filter
空氣濾清器



BCE Series



BC Series

採用極高轉速的整流子馬達，經濟、重量輕為其特色，適用於小型機器。
Uses high speed, powerful, single phase commutator motor and is the smallest and the most economical loader in our range. It is ideal for small machines. (Hopper mounted)

TA/TAE Series

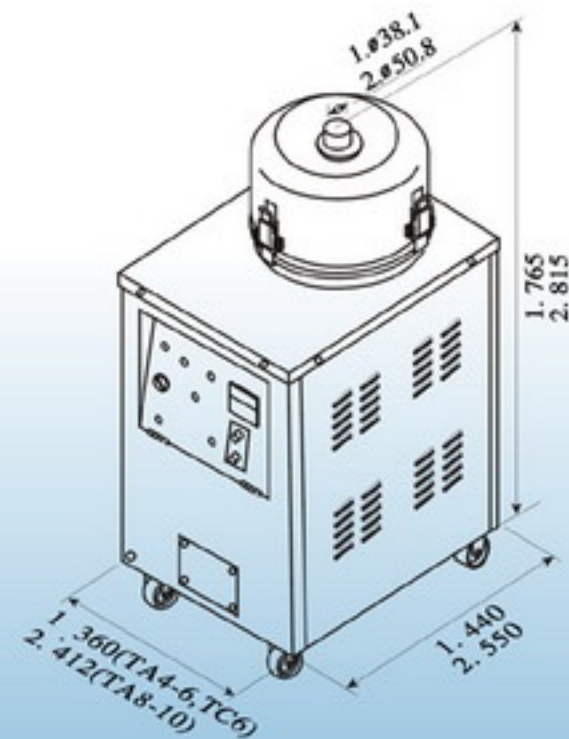
分離式/微電腦觸控式填料機



TA Series



TAE Series



TA: 採全密閉誘導馬達，有手動操作的逆轉開關及自動反轉功能，當原料吸不上發生警鈴時，會自動逆轉，送出反轉風力，清除隔離網和管路上積塵或阻塞物，若阻塞物能自動清除時會再重新吸料，否則會一直鳴叫並持續反向運轉。重量較大，適用於不需經常更換原料的機器，如壓出機類。唯主機與吸料筒為分離式，各型吸料筒皆可置於料筒乾燥機、一般貯料筒或直接置於成型機之入料口。（特殊設計的可拆式空氣濾清器，可連底座一起拆下清理。）

Use three phase, quiet, powerful induction motor and is equipped with an alarm and auto fan-reverse function. If material or dirt blocks the feed tube or filter screen, the alarm will sound and the direction of the fan motor will be automatically reversed until the blocks are removed. Suitable for medium to large size machines. (Hopper mounted)
Only the motor cabinet and suction hopper are separated. The motor cabinet can be placed on the floor for convenient operation and the suction hopper on the hopper dryer for easy installation. Both TA and TC series are equipped with a paper filter to stop the dust from entering the motor. (Special designed removable filter base for easy cleaning.)

TC / TCB Series

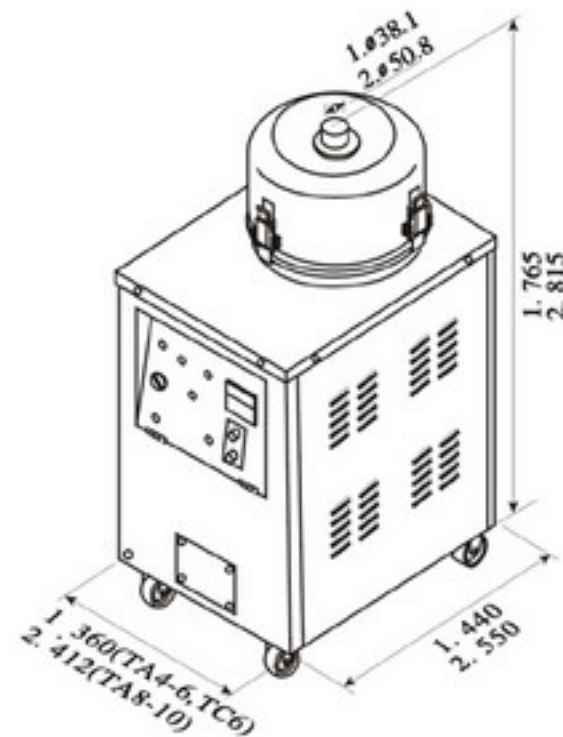
分離式/微電腦觸控式填料機



TC Series



TCE Series



TC: 其最大特色是以皮帶傳動鼓風機，因此噪音特低，適用於夜間與環境品質要求較高的工作場合。
The TC series is similar to the TA series, only the blowers are belt-driven for silent operation. (Floor Mounted)

TB / TBE Series

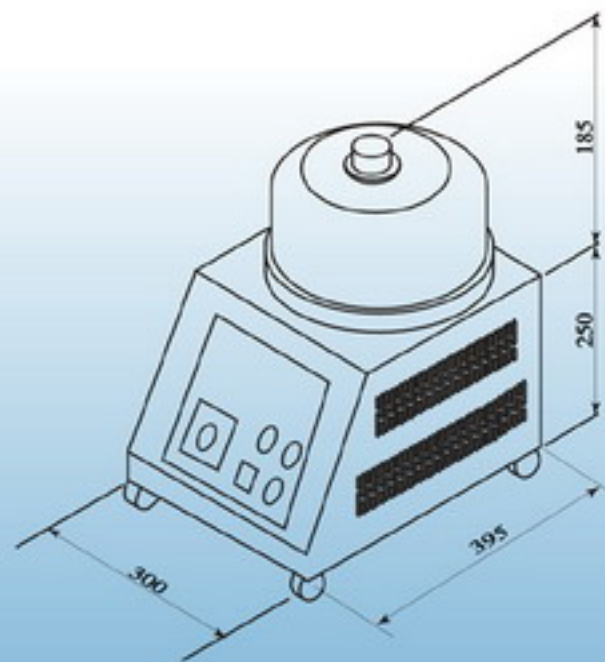
分離式/微電腦觸控式填料機



TB Series



TBE Series



採用與 BC 相同的整流子馬達，及與 TA、TC 相同的吸料筒與主機分離的設計，結合了直立式與分離式的優點。
Use the same commutator motor as the BC series, and separate motor cabinet and suction hopper design as the TA and TC series. Combine the advantages of the vertical and separated loaders.



Suction Hopper

吸料筒

台灣專利 114704
TAIWAN PATENT NO.114704



透明吸料筒系列：

由微動開關控制填料機之填料動作，且可將透明吸料筒直接置於成型機上，使清料、換料等維護工作更得心應手。

日本專利 001571
大陸專利 ZL 96 2 14817.2

Glass Hopper Series(GS):

Fitted with a limit switch to make the control accurate and the material supply easily observed. It can be mounted directly onto the plastic molding machine and gives the operator a clear view of the material being fed into the machine.

JAPAN PATENT NO. 001571
CHINA PATENT NO. ZL 96 2 14817.2

型式 Model	重量 Weight (kg)	容量(公升) Capacity (liter)	玻璃視窗 Sight Glass	微動開關 Limit Switch
GS	4.1	2	YES	YES
GSM	7.65	6	YES	YES
GSB	9.3	13.5	YES	YES
HS-6	5.45	6	NO	YES
HS-12	7	12	NO	YES
HS-50	13.85	50	NO	YES

YES：有 NO：沒有

Vortex 旋風集塵筒 Cyclones(VC)



在填料機的主機上加裝一個旋風集塵筒 (VC)，以集塵筒收集粉塵，使輸送碎料時，能長時間穩定的輸送。

VC can work with any auto loaders to stop the regrind resin from discharging to the surrounding area.

Material 活動集料座 Inlet Bases(MIB)



一般型吸料筒下方加裝活動集料座後即可直接置於成型機上，可免除原料中斷或落料不順之困擾。

MIB is fitted between auto loaders and molding machines for direct filling of the loader without the machine hopper. It is hinged for easy change of material and quick cleaning.

本公司產品榮獲多種獎項深受各方肯定
Our product has won many awards of machinery.



Specifications 規格表

型式 MODEL	BC-4 BCE-4	TB-4 TBE-4	TA-6 TAE-6	TA-8 TAE-8	TA-10 TAE-10	TA-12 TAE-12	TA-14 TAE-14	TD-14	TC-6 TCE-6
輸送能力 CONVEYING CAPACITY (kg/hr)	400	400	450	630	800	1000	1500	2000	500
垂直輸送高度 CONVEYING HEIGHT (m)	4	4	4	7	9.5	11	13	13	4
水平輸送長度 CONVEYING LENGTH (m)	7.5	7.5	8	20	30	50	75	100	8
電動機 MOTOR	800W 單相 1 PHASE	800W 單相 1 PHASE	1HP 三相 3 PHASE	2HP 三相 3 PHASE	3HP 三相 3 PHASE	5HP 三相 3 PHASE	7.5HP 三相 3 PHASE	7.5HP 三相 3 PHASE	1HP 三相 3 PHASE
電源 POWER	200-240V	200-240V	220-440V	220-440V	220-440V	220-440V	220-440V	220-440V	220-440V
重量(kg) APPROX. WEIGHT	16	13	49.5	68.5	76	115	148	312	48
儲料筒容量(liter) HOPPER CAPACITY	12	6	6	12	12	12	50	6/12/50	6

Remarks:

- 選擇填料機時請依各機型輸送功力之80%~85%為最佳選擇，可達最高經濟效益。
For the best result, please choose the loader according to 80%~85% loading capacity.
- 每小時輸送能力，將依塑料比重、形狀及輸送長度、高度管路特性、電流頻率等因素而改變。
Conveying capacity varies with the shape and bulk density of the material, piping, conveying length, conveying height, power supply (frequency) and other factors.
- 本公司填料機每小時輸送能力，以一般PS新料在馬達持續運轉情形下為計算標準。
The conveying capacity listed in the table is tested with standard PS granular material & with the motor running continuously.
- 產品規格若有變更，恕不另行通知。
We reserve the right to change specifications without prior notice.

Multiloaders 一機多用填料機



TAF-2D

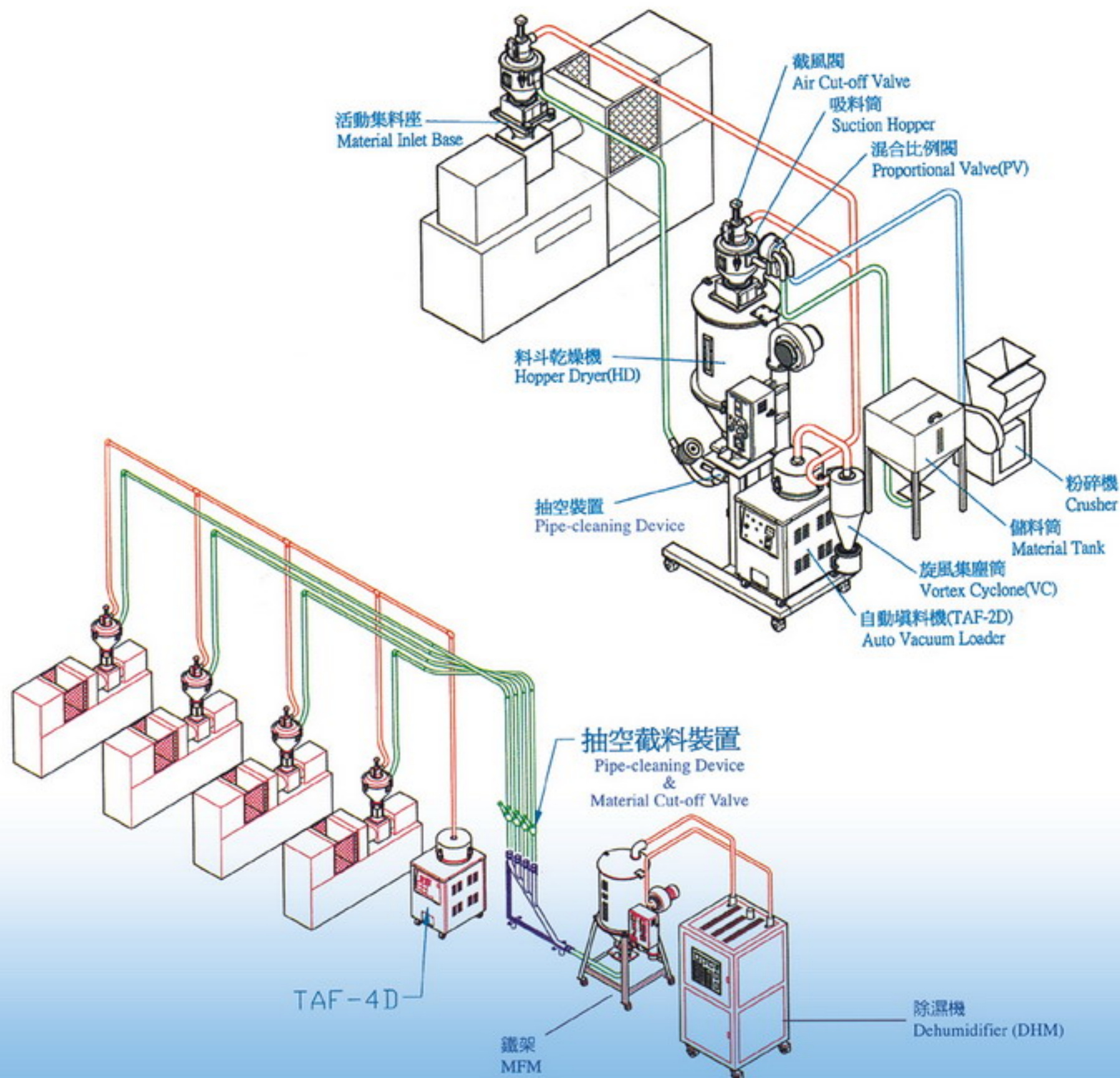
單一主機可分別供應多台成型機使用。附有特殊的抽空截料裝置，將輸送管中的材料完成抽空，達到防止回潮之最佳效益。可當作小型中央供料系統使用。

This hopper loader uses one blower and multi suction hoppers that operate separately. With the pipe-cleaning device, this special design delivers material without remaining any materia inside the pipe to prevent resorbing moisture.



TAF-4D

Example 應用實例



晏邦電機工業有限公司
YANN BANG ELECTRICAL MACHINERY CO.,LTD.

台灣總公司:411台中縣太平市工業20路26號(大里工業區) TEL:886-4-22716999 FAX:886-4-22711988
Head Office:26,Industry 20th Road,Taiping City,Taichung,Taiwan 411
台南分公司:709台南市安南區工明三路28號 TEL:06-2463333 FAX:06-2464021
新竹分公司:303 新竹縣湖口鄉湖中路286號 TEL:03-5696600 FAX:03-5696611
大陸關係企業:中國廣東省東莞市常平鎮漱新管理區 TEL:0769-3982966 FAX:0769-3396871
WEB SITE:<http://www.yannbang.net> E-MAIL:yb@yannbang.net