

## SPECIFICATION

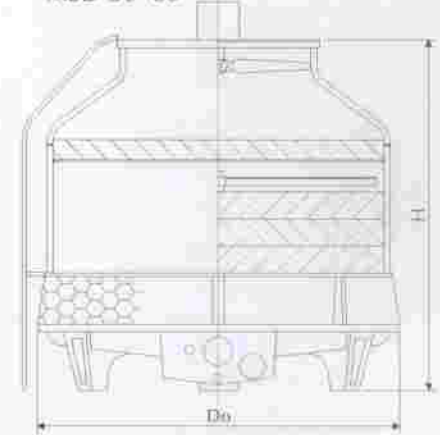
Design Condition: P=99.4kPa Wet Bulb Temp-T<sub>wb</sub>=27°C Dry Bulb Temp-T<sub>a</sub>=31.5°C Inlet Water Temp-T<sub>i</sub>=37°C Outlet Water Temp-T<sub>o</sub>=32°C

Model	Water Flow Rate (m <sup>3</sup> /h)		Tower Dimension (mm)		Motor (kw)	Fan Diameter (mm)	Air Flow Rate (m <sup>3</sup> /h)	Weight (kg)		Head Loss (kpa)
	27°C	28°C	Standard & Low Noise					Standard		
			Diameter D <sub>o</sub>	Height (H)				DRY	WET	
MSD-8	6.4	5.6	930	1720	0.18	584	4200	65	150	20
MSD-10	8	7	930	1950	0.18	584	5100	70	165	20
MSD-15	12	11	1175	1800	0.17	760	8400	110	250	20
MSD-20	16	14	1375	1850	0.37	760	10800	125	300	20
MSD-30	24	21	1615	2150	0.75	884	14400	180	395	20
MSD-40	32	28	1780	2050	0.75	884	17400	205	450	20
MSD-50	40	35	1870	2350	1.10	884	19200	235	580	25
MSD-60	48	42	1870	2450	1.50	1184	24600	305	630	25
MSD-80	64	56	2100	2780	1.50	1184	26400	480	850	25

MSD-80~40

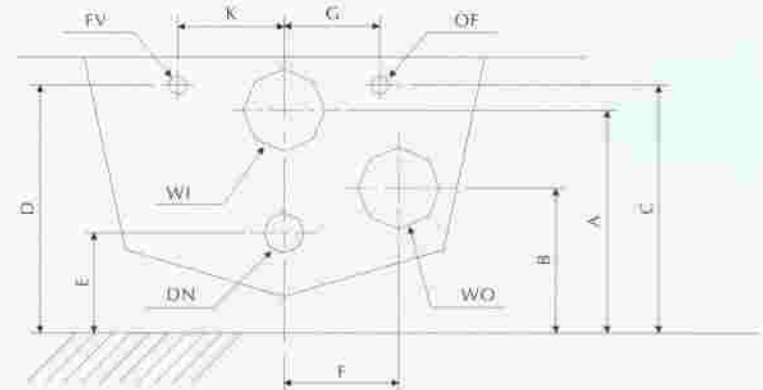


MSD-50~80



## PIPING SIZE

Model	Tower Dimension (mm)		Piping Size (mm)						Piping Detail (mm)								
	D <sub>o</sub>	H	WI	WO	OF	DN	FV	OF	A	B	C	D'	E	F	G	K	L
MSD-8	930	1785	40	40	25	25	15	-	210	110	215	220	80	90	120	100	-
MSD-10	930	1625	40	40	25	25	15	-	210	110	215	220	80	90	120	100	-
MSD-15	1175	1495	50	50	25	25	15	-	220	125	235	250	90	105	130	145	-
MSD-20	1375	1605	50	50	25	25	15	-	220	155	270	275	90	115	150	180	-
MSD-25	1375	1765	50	50	25	25	15	-	220	155	270	275	90	115	150	180	-
MSD-30	1615	1885	80	80	25	25	15	-	250	145	290	325	90	125	160	145	-
MSD-40	1780	1800	80	80	25	25	15	-	290	140	310	340	85	155	155	155	-
MSD-50	1870	2070	80	80	25	25	20	-	280	160	315	325	85	155	155	170	-
MSD-60	1870	2070	80	80	25	25	20	-	280	160	315	325	85	155	155	170	-
MSD-80	2100	2440	100	100	40	25	20	-	250	180	330	385	100	160	180	190	-

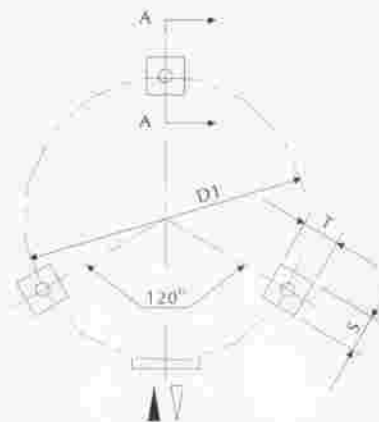


## FOUNDATION DRAWING

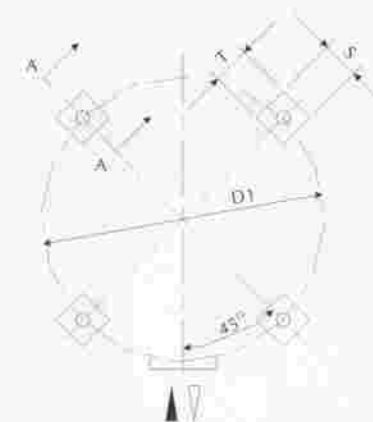
Model	Data					
	D1 (mm)	L (mm)	S (mm)	T (mm)	M (mm)	h (mm)
MSD-8	600	-	250	250	M10	300
MSD-10	600	-	250	250	M10	300
MSD-15	878	-	300	300	M10	300
MSD-20	1060	-	300	300	M10	300
MSD-25	1060	-	300	300	M10	300
MSD-30	1275	-	300	300	M10	300
MSD-40	1430	-	300	300	M10	300
MSD-50	1505	-	300	300	M10	300
MSD-60	1505	-	300	300	M10	300
MSD-80	1715	-	300	300	M10	300

- Note: 1. \*I\* Water inlet, \*V\* Water outlet.  
 2. All the foundation must set at the same level.  
 3. h is the recommend height only, owner can set the height according to the site condition.  
 4. Apply the usual national code when making the foundation.

MSD-8~25



MSD-30~80



Dealer:

**MST**

MESAN COOLING TOWER LTD.  
<http://www.mesanct.com>  
 e-mail: sales@mesanct.com