

# Level Pads

Our Machine Level Pads are designed to **level your machines and reduce vibration and machine wear.** They are made of heavy metal support housings incorporating rubber shock absorbing feet.

Levelling is a simple matter of placing the Machine Level Pads beneath the machine mounting points and levelling the machine by turning the adjusting nuts on each Machine Level Pad up or down until the machine is level.

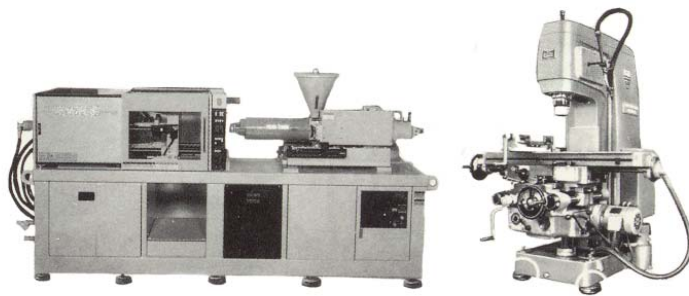
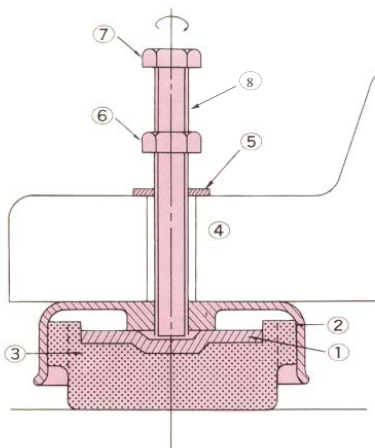
The solid rubber feet of the Machine Level Pads that are in contact with the floor give your machine good grip to eliminate machine creep and absorb vibration and machine operating impact shocks. Thereby giving your machine longer life.



## Machine Mount Diagram

- ① Bearing plate
- ② Support housing
- ③ Rubber foot
- ④ Machine
- ⑤ Washer
- ⑥ Lock nut
- ⑦ Nut-spanner
- ⑧ Bolt

Model	Load Capacity	Pad Diameter	Bolt Diameter
LP1	0-400kg	104mm	12mm
LP2	400-1,000kg	145mm	18mm
LP3	1,000-2,000kg	195mm	18mm
LP4	2,000-3,000kg	228mm	24mm
LP5	3,000-5,000kg	250mm	30mm



## Features-

- Levels Machine
- Stops Machine Creep
- Increases Safety
- Absorbs Vibration
- Absorbs Operating Impact Shocks
- Improves Machine Life

**PETER KING TRADING**  
**21 Beach Avenue**  
**MORDIALLOC VIC 3195**  
 Ph: 03-9587 4874    Fax: 03-9587 4709  
 email: peter@peterkingtrading.com.au  
[www.peterkingtrading.com.au](http://www.peterkingtrading.com.au)