

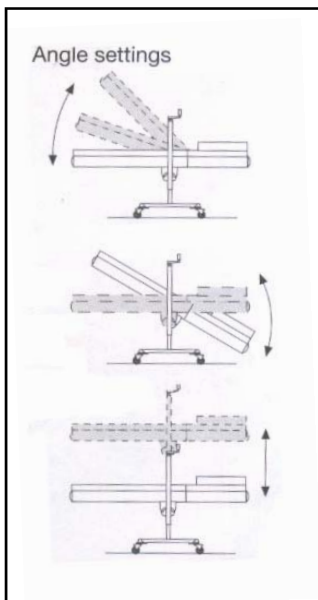
CC Pedestal Conveyor



The CC Pedestal Conveyor is a conveyor designed specially for the Plastics Industry. It is free standing and mobile and can be made into many configurations to suit injection moulding machines.

It can be adapted to be horizontal, angled or inclined and all of these positions can be vertically adjusted by means of a simple threaded spindle.

Because of its free standing design it can be positioned horizontally inside of the drop out chute and then inclined to a receiving bin etc...



SPECIFICATIONS	
Horizontal length	800mm
Incline length	1200mm
Belt width	320mm or 500mm
Adjustable incline	15, 30, 45, 60 degree
Horizontal adjustment	190mm - 820mm
Speed	Variable

For enquiries contact:

PETER KING TRADING
21 Beach Avenue
Mordialloc VIC 3195
Australia
Ph: 03-95874874 Fax 03-95874709
www.peterkingtrading.com.au